



Belt Washers

FMT, Inc. Belt Washers provide efficient cleaning and drying and are customizable to fit your production-specific needs.



Choose from one of FMT's standard lines, modify one of those units, or work with FMT on a custom engineered design to meet your parts cleaning needs.

- Belt washing systems are a good fit for high-volume cleaning and drying of parts from all sides.
- Applications include washing, rinsing, rust inhibiting, and drying.
- Parts can be loaded manually or automatically, directly onto the belt or by using baskets or custom fixtures.
- Examples of parts cleaned using the FMT belt washer include: Aircraft turbine parts; aluminum castings; dishwasher components; parts & components for exhaust, filter, ignition & fuel systems; iron castings; machined engine blocks; machined compressor housings; stampings; screws in baskets; TV picture tube parts; transmission components.
- Standard FMT belt washers are available in widths of 12", 24", 36", and 48". Custom units are available for any size.
- Belt washers can be set up for continuous or indexing cleaning processes.
- Ultrasonic add-on capability for immersion stages.
- Single and multiple stages available.
- Electric, steam, and natural gas heating.
- Mild and stainless steel construction.
- Chip trays in all solution stages.



Internal view of FMT Belt Washer

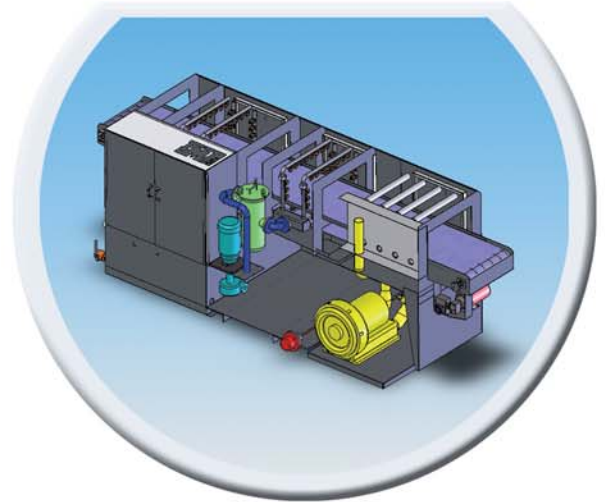
Visit us online: www.fmtinc.com



Belt Washers

ADDITIONAL & OPTIONAL FEATURES – FMT BELT WASHER

| ITEM | STANDARD | OPTIONAL |
|---|----------------------------------|----------|
| TANK LEVEL CONTROL | <input checked="" type="radio"/> | |
| PUMP LOW LEVEL PROTECTION | <input checked="" type="radio"/> | |
| CAST IRON VERTICAL CENTRIFUGAL PUMP | <input checked="" type="radio"/> | |
| TANK INSULATION | <input checked="" type="radio"/> | |
| ELECTRIC TANK HEAT WITH HEATER PROTECTION | <input checked="" type="radio"/> | |
| PLC & HMI | <input checked="" type="radio"/> | |
| UPPER / LOWER / SIDE SPRAY BARS | <input checked="" type="radio"/> | |
| ADJUSTABLE NOZZLES | <input checked="" type="radio"/> | |
| DRAIN VALVE | <input checked="" type="radio"/> | |
| CLEANOUT DOORS | <input checked="" type="radio"/> | |
| INTEGRAL FORK POCKETS | <input checked="" type="radio"/> | |
| BLOW-OFF FAN | <input checked="" type="radio"/> | |



| ITEM | STANDARD | OPTIONAL |
|---------------------------------------|----------------------------------|----------------------------------|
| VARIABLE SPEED BELT DRIVE | <input checked="" type="radio"/> | |
| RINSE FILTRATION | <input checked="" type="radio"/> | |
| RINSE STAGE | <input checked="" type="radio"/> | |
| CHIP BASKET | | <input checked="" type="radio"/> |
| STAINLESS STEEL FILTER HOUSINGS | | <input checked="" type="radio"/> |
| SATELLITE OIL COALESCER | | <input checked="" type="radio"/> |
| BELT SKIMMER | | <input checked="" type="radio"/> |
| 316 STAINLESS STEEL CENTRIFUGAL PUMPS | | <input checked="" type="radio"/> |
| STAINLESS STEEL NOZZLES | | <input checked="" type="radio"/> |
| EXHAUST FAN | | <input checked="" type="radio"/> |
| FILTER ELECTRONIC PRESSURE SWITCH | | <input checked="" type="radio"/> |
| NOISE REDUCTION PACKAGE | | <input checked="" type="radio"/> |
| BLOW-OFF AIR HEAT | | <input checked="" type="radio"/> |

